

---

# INSTRUCTION MANUAL

---

## ***5' Tower***      ***5' Tower Extension Kit***

---

---

Please see extra packet contents for registration warranty form and additional important information.



This instruction manual complies with the ASTM standard F2123 - Standard Practice for Treestand Instructions.

**ATTENTION!! WHEN YOU SEE A "⚠ WARNING!" BE SURE TO HEED THE MESSAGE! THE INFORMATION CONTAINED IN THESE MESSAGES CAN SAVE YOUR LIFE!!**

**PARTS LIST -**

**5' TOWER**

Part #	Description	Qty	Part #	Description	Qty
UP15-0270	Platform Base	1	UP15-0281	Ladder Rail	1
UP15-0271	Top Leg	4	UP15-0282	Platform Rail	2
UP15-0273	Upper Horizontal Brace	4	UP15-0283	Auger Stake	1
UP15-0275	Cross Brace	4	UP15-0284	Wire Rope	1
UP15-0276	Ladder Section	1	UP15-0285	Turnbuckle	1
UP15-0278	Ladder Connector	2	UP15-0286	Leg Stake	4
UP15-0279	Ladder Support	2	UP15-0287	Wire Rope Clip	4
UP18-0082	Leg Connector	4		Instruction Manual	1
UP15-0280	Leg Support	4			

**HARDWARE LIST -**

*continued*

Part #	Description	Qty
UP77-0167	3/8" Lock Washer	71
UP77-0168	3/8" Hex Nut	71
UP77-0145	1/2" Steel Washer	2
UP77-0169	1/2" Lock Washer	1
UP77-0170	1/2" Hex Nut	1
UP77-0122	Snap Pin	2
UP77-0185	3/8" X 1 1/2" Steel Washer	4

**HARDWARE LIST -**

**5' TOWER**

Part #	Description	Qty
UP77-0159	[A] 3/8" x 1 1/4" Hex Bolt	53
UP77-0165	[B] 3/8" x 2" Hex Bolt	2
UP77-0166	[C] 1/2" x 3 1/2" Hex Bolt	1
UP77-0207	[D] 3/8" x 2 1/2" Carriage Bolt	12
UP77-0186	[E] 3/8" x 5 1/4" Carriage Bolt	4
UP77-0053	3/8" Steel Washer	122

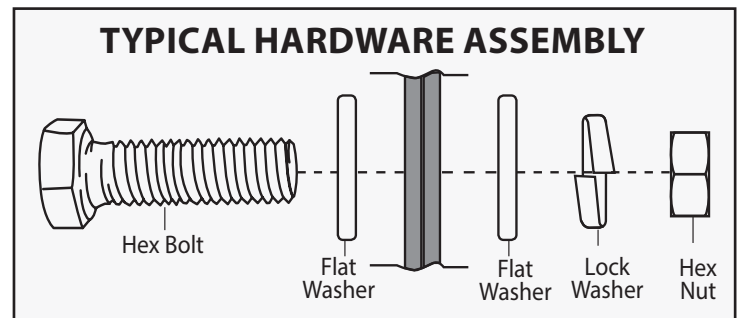
**SPECS**

**Max. Weight Capacity (User and Equipment):** 500 lbs/227 kg

**TOOLS REQUIRED:**

Adjustable Wrench - Qty 2 (Not Included)

*It is recommended to make sure you have all parts and hardware prior to assembly.*



**ATTENTION!! WHEN YOU SEE A "⚠ WARNING!" BE SURE TO HEED THE MESSAGE! THE INFORMATION CONTAINED IN THESE MESSAGES CAN SAVE YOUR LIFE!!**

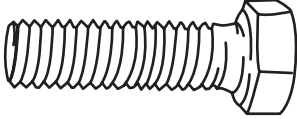



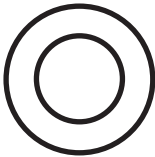

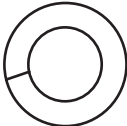
**PARTS LIST -**

**5' TOWER EXTENSION KIT**

Part #	Description	Qty	Part #	Description	Qty
UP15-0272	Bottom Leg	4	UP15-0275	Cross Brace	4
UP18-0083	Left Horizontal Brace	4	UP15-0276	Ladder Section	1
UP18-0084	Right Horizontal Brace	4	UP15-0277	Ladder Section Splice	2

**HARDWARE LIST -**

**5' TOWER EXTENSION KIT**

Part #	Description	Qty	Part #	Description	Qty
UP77-0159	[A] 3/8" x 1 1/4" Hex Bolt	23	UP77-0168	3/8" Hex Nut	23
					
UP77-0016	[F] 1/4" x 1" Hex Bolt	8	UP77-0001	1/4" Nylock Nut	8
					
UP77-0053	3/8" Steel Washer	46	UP77-0005	1/4" Steel Washer	16
					
UP77-0167	3/8" Lock Washer	23			
					

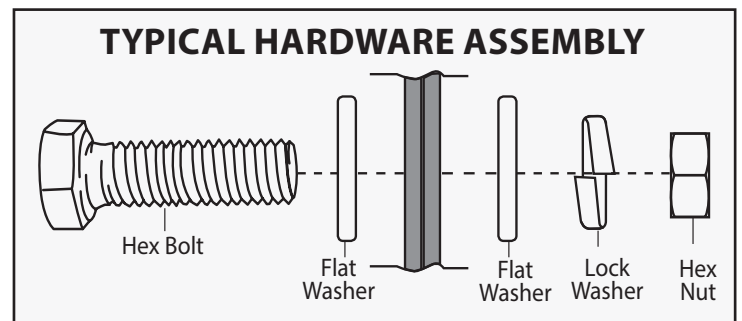
**SPECS**

**Max. Weight Capacity (User and Equipment):** 500 lbs/227 kg

**TOOLS REQUIRED:**

Adjustable Wrench - Qty 2 (Not Included)

*It is recommended to make sure you have all parts and hardware prior to assembly.*



**STORAGE AND CARE OF YOUR CLIMBING SYSTEM:** Your new climbing system is factory finished with a state-of-the-art powder coating that guarantees years of trouble-free service. It is recommended that you store your climbing system out of direct sunlight and out of any other harsh environmental condition(s) that may adversely affect its performance.

**READ THIS MANUAL IN ITS ENTIRETY PRIOR TO USING THIS PRODUCT.**

This instruction manual complies with the ASTM standard F2123 - Standard Practice for Treestand Instructions.

**ATTENTION!! WHEN YOU SEE A "⚠ WARNING!" BE SURE TO HEED THE MESSAGE! THE INFORMATION CONTAINED IN THESE MESSAGES CAN SAVE YOUR LIFE!!**

The following steps are used to assemble **5' Tower with 5' Tower Extension Kit. Continue to Page 14 for 5'Tower**

**⚠ WARNING! Read USAGE INSTRUCTIONS & WARNINGS on pages 2-3 prior to assembly of this product! Failure to follow the instructions on this page and pages 2-3 may result in serious injury or death!**

**⚠ WARNING! DO NOT over tighten the hardware. Over tightening can lead to structural damage and may negatively affect the performance of your stand. Failure to follow these instructions may result in serious injury or death!**

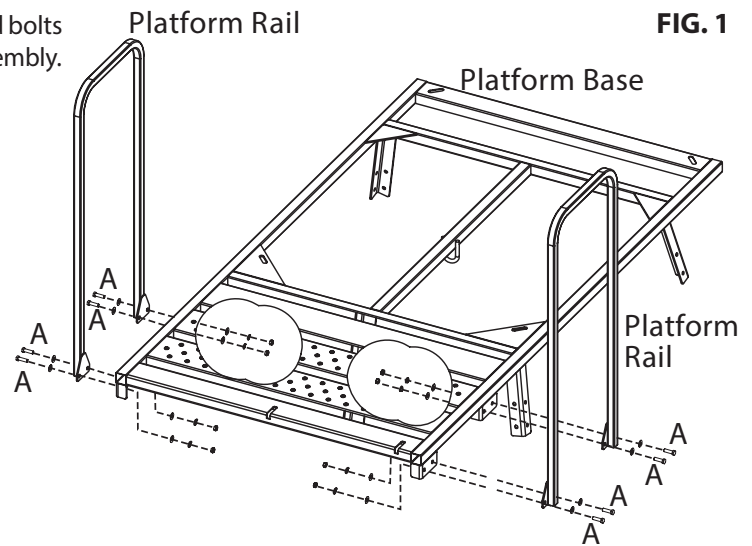
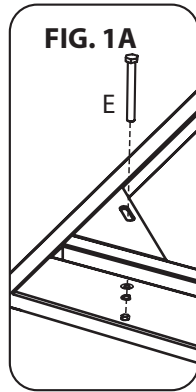
**NOTE:** All steps require that you temporarily finger tighten all nuts and bolts until instructed to tighten. This will ensure proper alignment during assembly.

**STEP 1.** Attach the **platform rails** to the **platform base** using (8) 3/8" x 1 1/4" [A] hex bolts, (16) 3/8" steel washers, (8) 3/8" lock washers and (8) 3/8" hex nuts to secure (Fig. 1).

**SECURE THE BLIND**

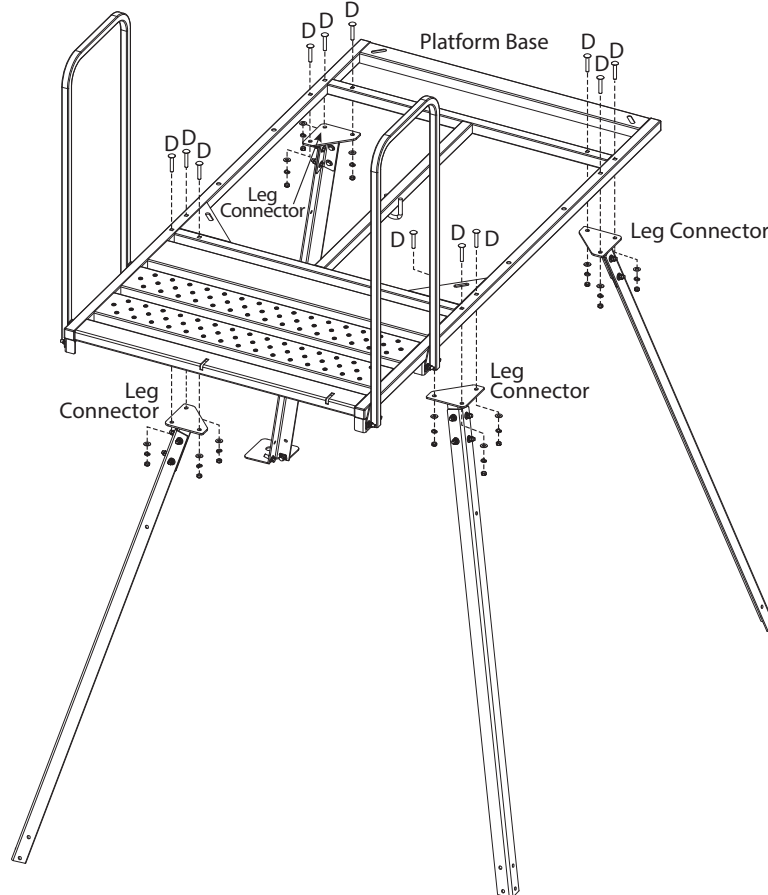
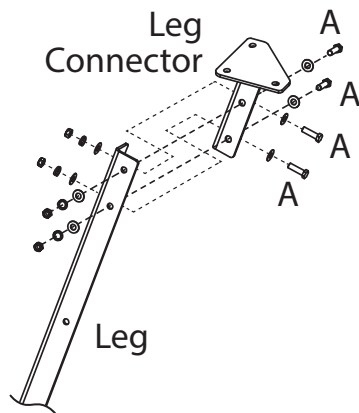
**STEP 2.** If still attached, remove the wood studs from the bottom of your **Blind**. The wood studs are secured to the floor using (4) screws. Next, Center your **blind** on the **platform base**, between the **platform rails**.

Secure the blind to the **platform base** using (4) 3/8" x 5 1/4" carriage bolts [E], (4) 3/8" x 1 1/2" steel washers, (4) 3/8" lock washers & (4) 3/8" hex nuts to secure (Fig. 1A).



**STEP 3.** Attach the **leg connectors** to the **top legs** using (16) 3/8" x 1 1/4" [A] hex bolts, (32) 3/8" steel washers, (16) 3/8" lock washers & (16) 3/8" hex nuts.

Then, attach the **leg connectors** to the **platform base** using (12) 3/8" x 2 1/2" carriage bolts [D], (12) 3/8" lock washers, (12) 3/8" steel washers and (12) 3/8" hex nuts to secure.

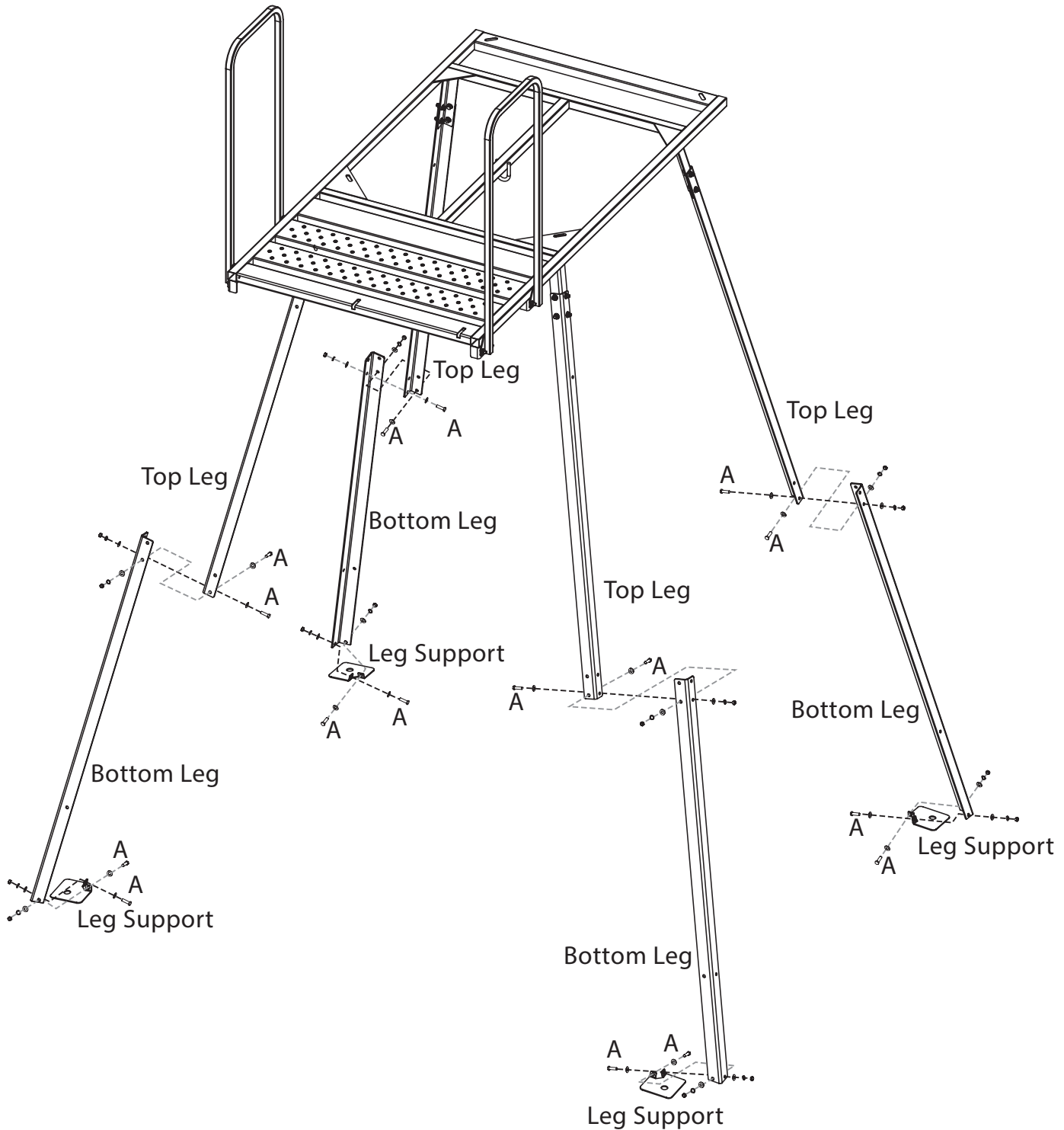


**ATTENTION!! WHEN YOU SEE A "⚠ WARNING!" BE SURE TO HEED THE MESSAGE! THE INFORMATION CONTAINED IN THESE MESSAGES CAN SAVE YOUR LIFE!!**

**STEP 4.** Next, attach the **bottom legs** to the **top legs** using (8) 3/8" x 1 1/4" [A] hex bolts, (16) 3/8" steel washers, (8) 3/8" lock washers & (8) 3/8" hex nuts. **NOTE:** Only the lower holes are used for the leg assembly at this time.

**FIG. 3**

**STEP 5.** Connect the **leg supports** to the **bottom legs** using (8) 3/8" x 1 1/4" [A] hex bolts, (16) 3/8" steel washers, (8) 3/8" lock washers & (8) 3/8" hex nuts to secure.



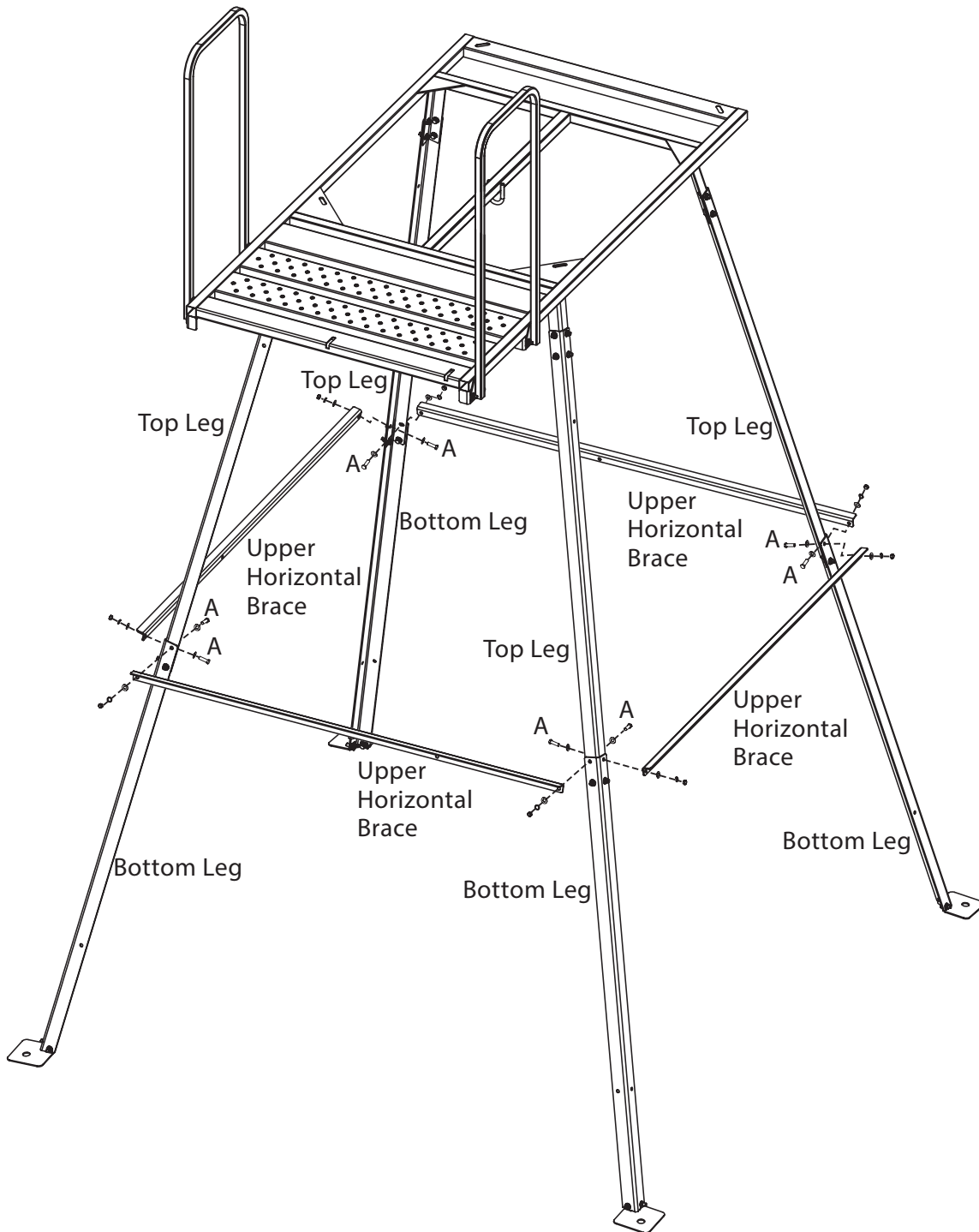
**READ THIS MANUAL IN ITS ENTIRETY PRIOR TO USING THIS PRODUCT.**

This instruction manual complies with the ASTM standard F2123 - Standard Practice for Treestand Instructions.

**ATTENTION!! WHEN YOU SEE A "⚠ WARNING!" BE SURE TO HEED THE MESSAGE! THE INFORMATION CONTAINED IN THESE MESSAGES CAN SAVE YOUR LIFE!!**

**STEP 6.** With the flat side of the angle facing to the top, attach the **upper horizontal braces** to the outside of the **bottom/top Legs** using (8) 3/8" x 1 1/4" [A] hex bolts, (16) 3/8" steel washers, (8) 3/8" lock washers & (8) 3/8" hex nuts.

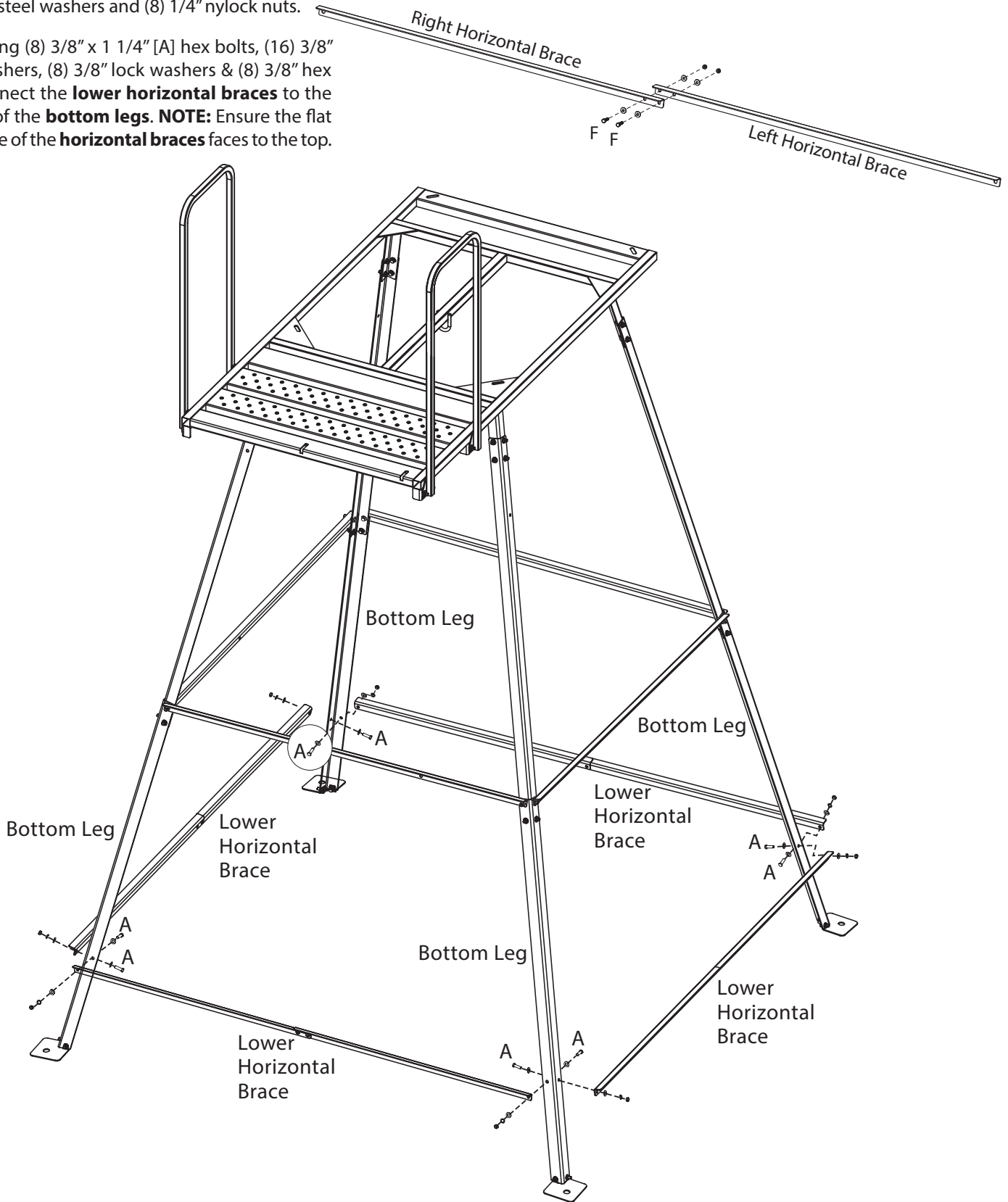
**FIG. 4**



**ATTENTION!! WHEN YOU SEE A "⚠ WARNING!" BE SURE TO HEED THE MESSAGE! THE INFORMATION CONTAINED IN THESE MESSAGES CAN SAVE YOUR LIFE!!**

**STEP 7.** Connect the **left and right horizontal braces** to make the **lower horizontal braces** using (8) 1/4" x 1" [F] hex bolts, (16) 1/4" steel washers and (8) 1/4" nylock nuts. **FIG. 5**

Next, using (8) 3/8" x 1 1/4" [A] hex bolts, (16) 3/8" steel washers, (8) 3/8" lock washers & (8) 3/8" hex nuts connect the **lower horizontal braces** to the outside of the **bottom legs**. **NOTE:** Ensure the flat side angle of the **horizontal braces** faces to the top.



**READ THIS MANUAL IN ITS ENTIRETY PRIOR TO USING THIS PRODUCT.**

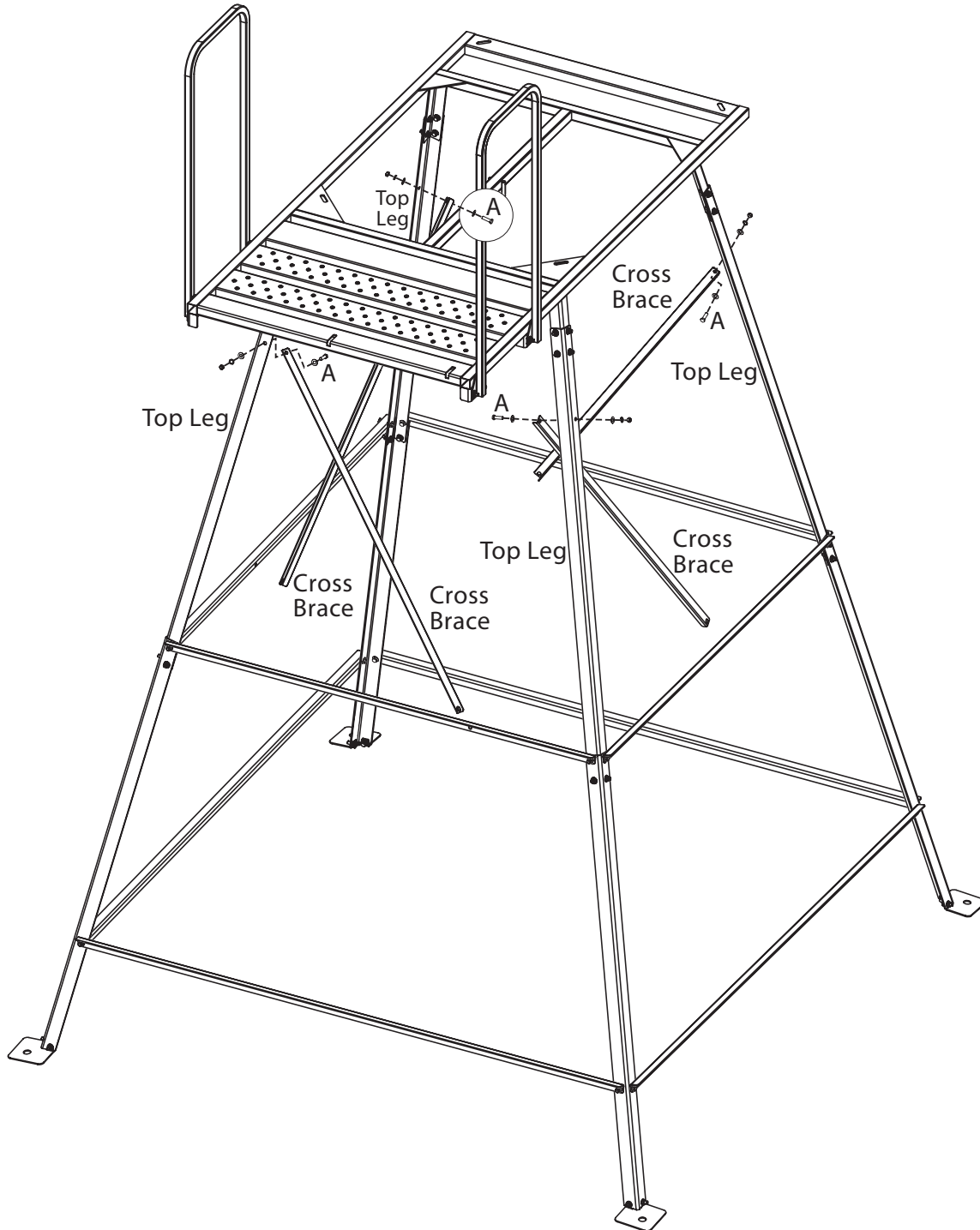
This instruction manual complies with the ASTM standard F2123 - Standard Practice for Treestand Instructions.



**ATTENTION!! WHEN YOU SEE A "⚠ WARNING!" BE SURE TO HEED THE MESSAGE!  
THE INFORMATION CONTAINED IN THESE MESSAGES CAN SAVE YOUR LIFE!!**

**STEP 8.** With the flat side of the angle facing to the ground, attach the round hole end of (4) **cross braces** to the inside of the **top legs** using (4) 3/8" x 1 1/4" [A] hex bolts, (8) 3/8" steel washers, (4) 3/8" lock washers & (4) 3/8" hex nuts to secure.

**FIG. 6**





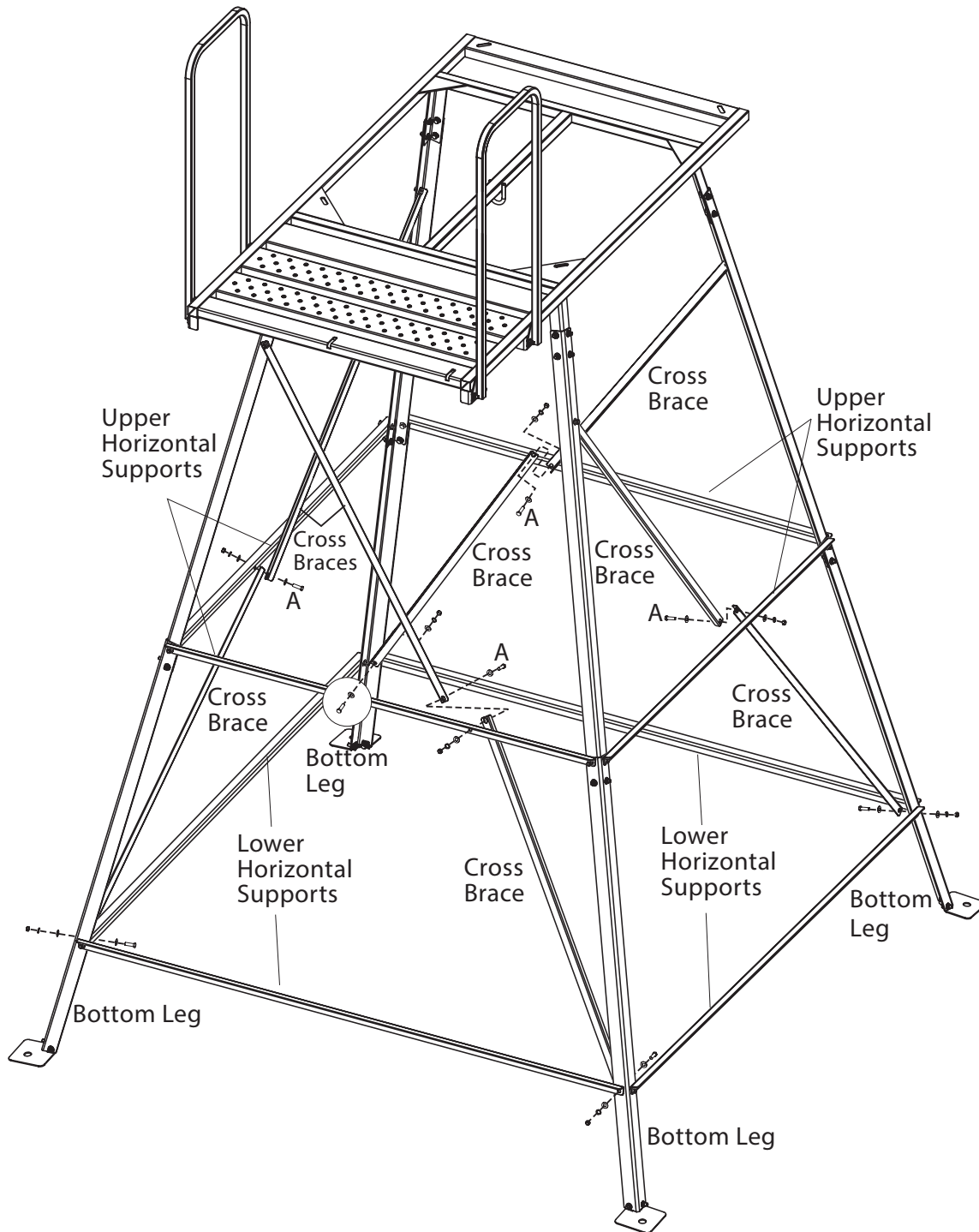
**ATTENTION!! WHEN YOU SEE A "⚠ WARNING!" BE SURE TO HEED THE MESSAGE! THE INFORMATION CONTAINED IN THESE MESSAGES CAN SAVE YOUR LIFE!!**

**STEP 9.** Using the assembled hardware from **STEP 7** secure the round hole end of the remaining **cross braces** to the inside of the **bottom legs & lower horizontal braces**. **NOTE:** Ensure the flat side angle of the cross braces faces to the top.

**STEP 10.** Secure the oblong hole ends of the **cross braces** to the **upper horizontal braces** using (4) 3/8" x 1 1/4" [A] hex bolts, (8) 3/8" steel washers, (4) 3/8" lock washers & (4) 3/8" hex nuts.

**STEP 11. SECURELY TIGHTEN EVERY NUT AND BOLT AT THIS TIME.**

**FIG. 7**



**READ THIS MANUAL IN ITS ENTIRETY PRIOR TO USING THIS PRODUCT.**

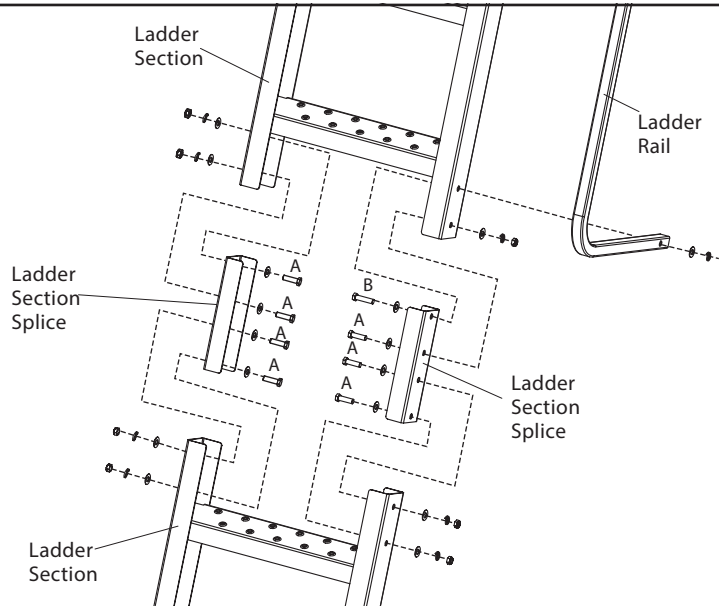
This instruction manual complies with the ASTM standard F2123 - Standard Practice for Treestand Instructions.

**ATTENTION!! WHEN YOU SEE A "⚠ WARNING!" BE SURE TO HEED THE MESSAGE! THE INFORMATION CONTAINED IN THESE MESSAGES CAN SAVE YOUR LIFE!!**

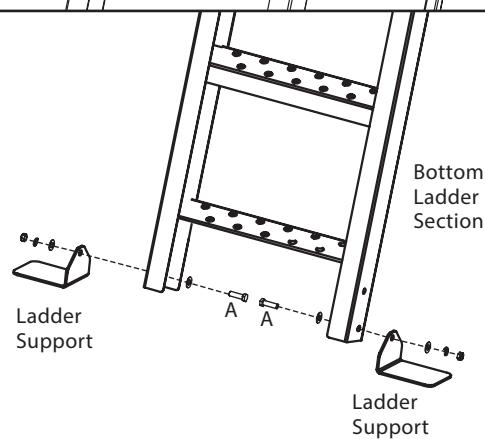
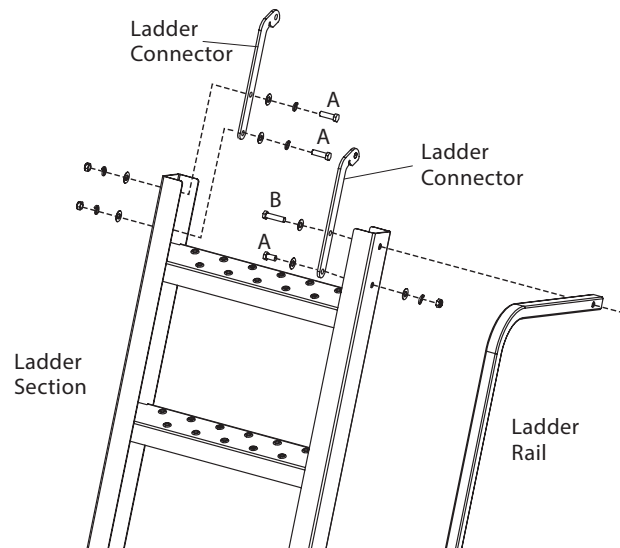
**STEP 12.** At this time erect your tower kit at the desired location, ensuring that it is level and stable. **NOTE:** Leveling of the tower kit may require removal of dirt below one or more of the leg supports.

**STEP 13.** Anchor the tower kit according to the tie down anchor instructions found on page 18.

**STEP 14.** Assemble the ladder by connecting the **ladder sections, ladder splices, ladder connectors, ladder supports** and **ladder rail** using (12) 3/8" x 1 1/4" [A] hex bolts, (2) 3/8" x 2" [B] hex bolts, (28) 3/8" steel washers, (14) 3/8" lock washers & (14) 3/8" hex nuts; Securely Tighten. **NOTE:** The **ladder rail** can be attached to either side of the ladder.



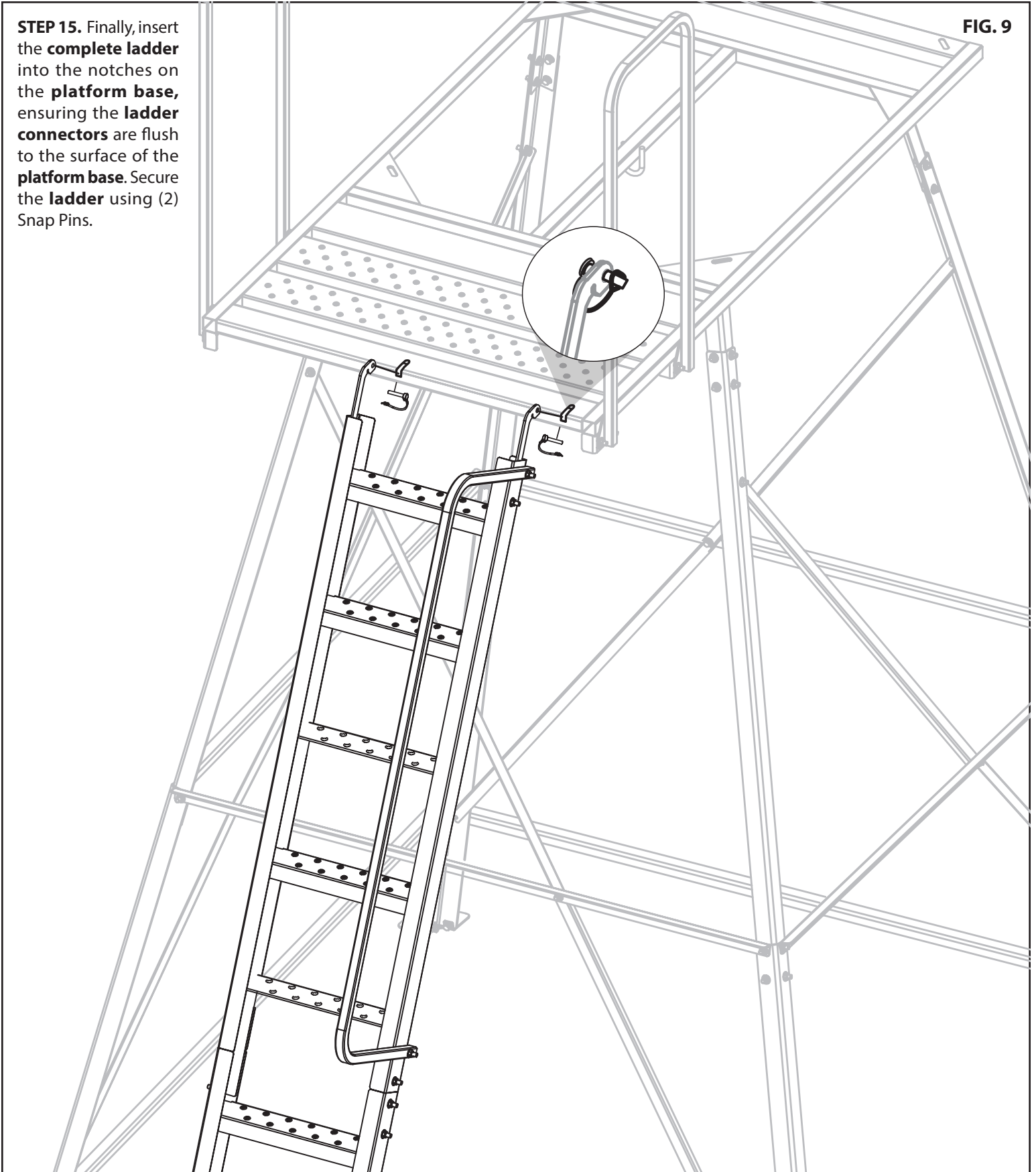
**FIG. 8**



**ATTENTION!! WHEN YOU SEE A "⚠ WARNING!" BE SURE TO HEED THE MESSAGE!  
THE INFORMATION CONTAINED IN THESE MESSAGES CAN SAVE YOUR LIFE!!**

**STEP 15.** Finally, insert the **complete ladder** into the notches on the **platform base**, ensuring the **ladder connectors** are flush to the surface of the **platform base**. Secure the **ladder** using (2) Snap Pins.

**FIG. 9**



**READ THIS MANUAL IN ITS ENTIRETY PRIOR TO USING THIS PRODUCT.**

This instruction manual complies with the ASTM standard F2123 - Standard Practice for Treestand Instructions.

**ATTENTION!! WHEN YOU SEE A "⚠ WARNING!" BE SURE TO HEED THE MESSAGE! THE INFORMATION CONTAINED IN THESE MESSAGES CAN SAVE YOUR LIFE!!**

**The following steps are used to assemble 5' Tower.**

**⚠ WARNING! Read USAGE INSTRUCTIONS & WARNINGS on pages 2-3 prior to assembly of this product! Failure to follow the instructions on this page and pages 2-3 may result in serious injury or death!**

**⚠ WARNING! DO NOT over tighten the hardware. Over tightening can lead to structural damage and may negatively affect the performance of your stand. Failure to follow these instructions may result in serious injury or death!**

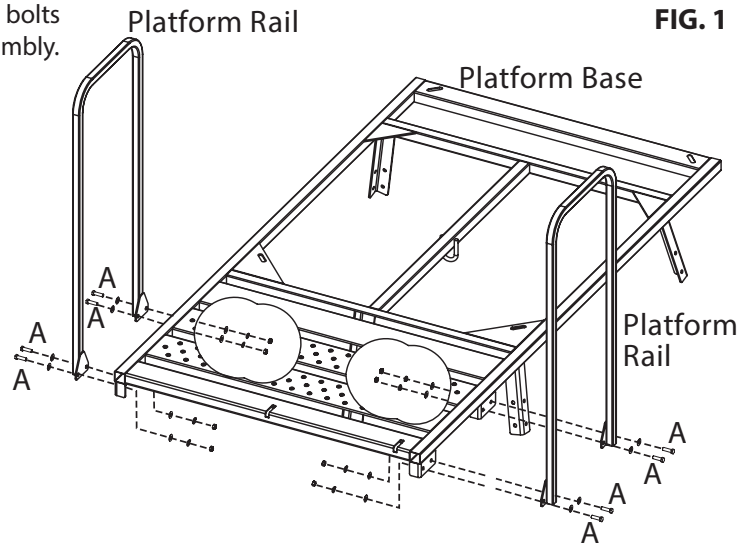
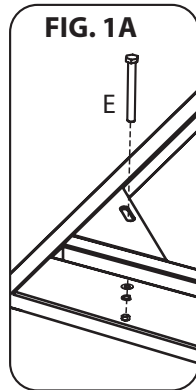
**NOTE:** All steps require that you temporarily finger tighten all nuts and bolts until instructed to tighten. This will ensure proper alignment during assembly.

**STEP 1.** Attach the **platform rails** to the **platform base** using (8) 3/8" x 1 1/4" [A] hex bolts, (16) 3/8" steel washers, (8) 3/8" lock washers and (8) 3/8" hex nuts to secure (Fig. 1).

**SECURE THE BLIND**

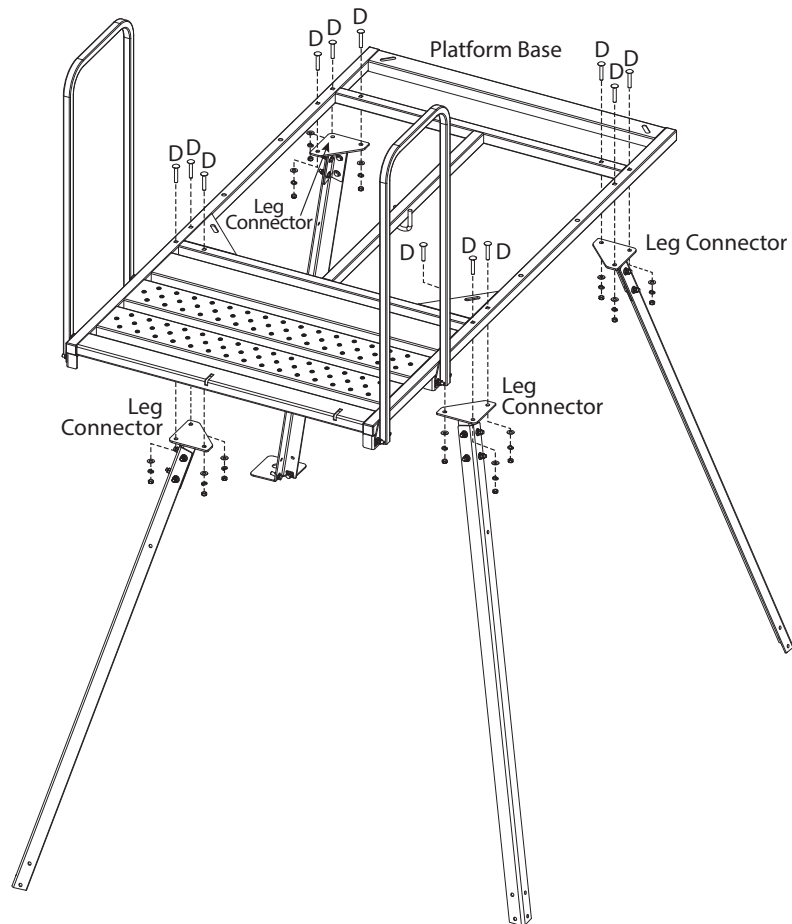
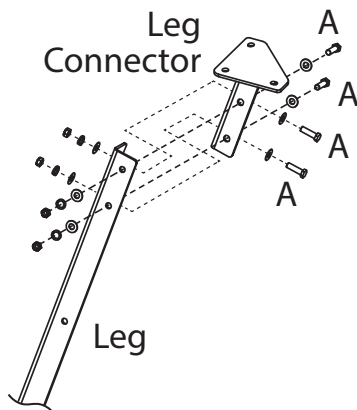
**STEP 2.** If still attached, remove the wood studs from the bottom of your Blind. The wood studs are secured to the floor using (4) screws. Next, Center your blind on the platform base, between the platform rails.

Secure the blind to the platform base using (4) 3/8" x 5 1/4" carriage bolts [E], (4) 3/8" x 1 1/2" steel washers, (4) 3/8" lock washers & (4) 3/8" hex nuts to secure (Fig. 1A).



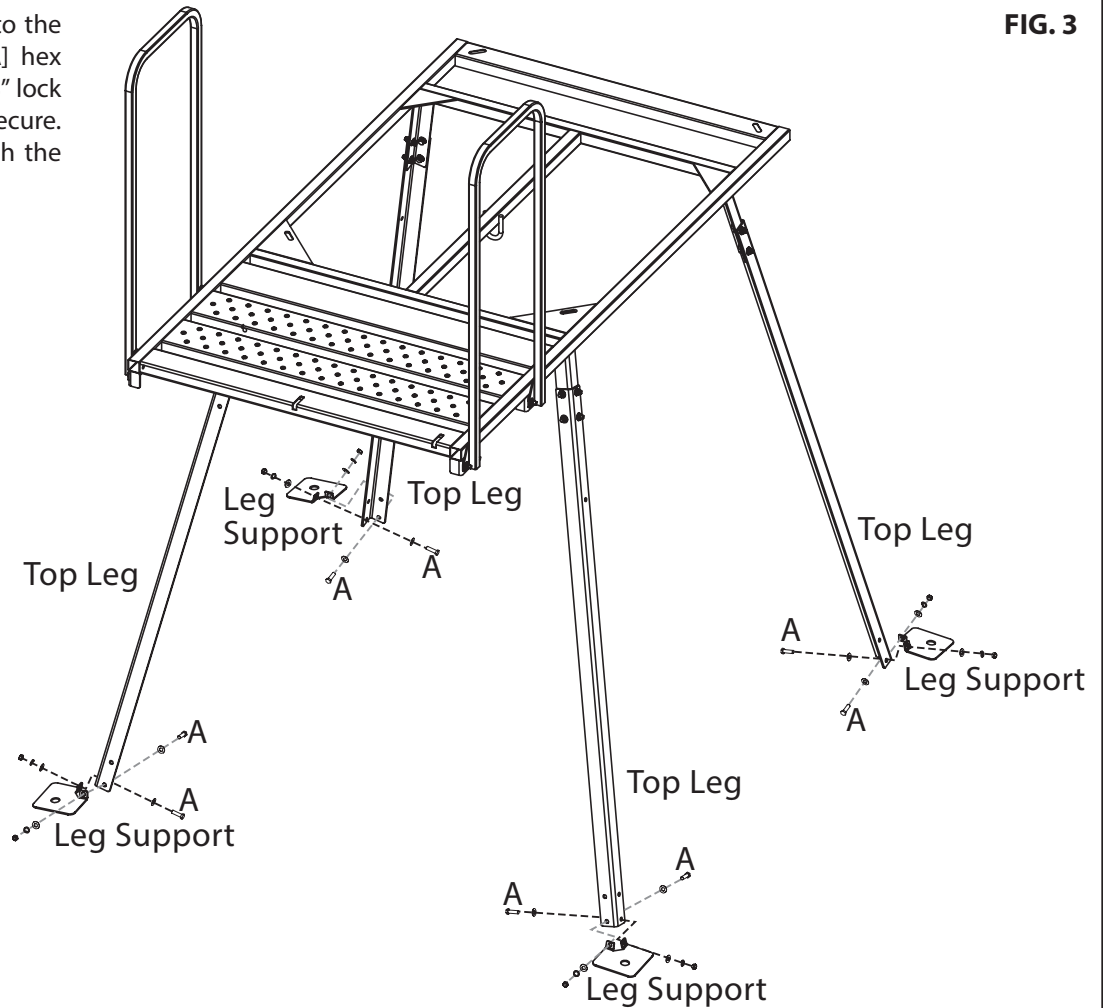
**STEP 3.** Attach the **leg connectors** to the **top legs** using (16) 3/8" x 1 1/4" [A] hex bolts, (32) 3/8" steel washers, (16) 3/8" lock washers & (16) 3/8" hex nuts.

Then, attach the **leg connectors** to the **platform base** using (12) 3/8" x 2 1/2" carriage bolts [D], (12) 3/8" lock washers, (12) 3/8" steel washers and (12) 3/8" hex nuts to secure.

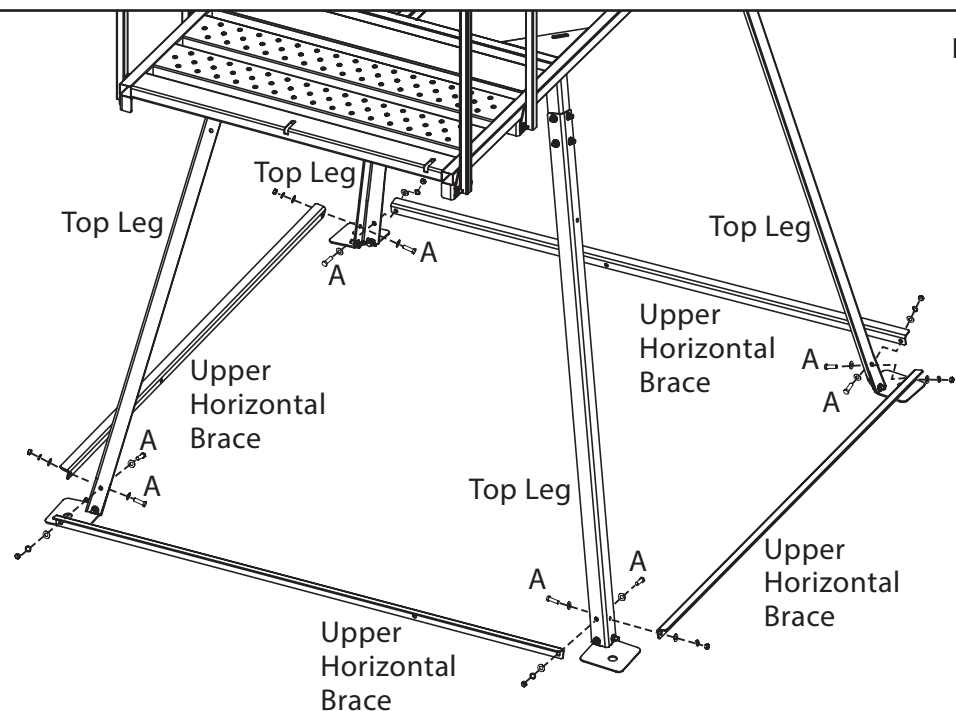


**ATTENTION!! WHEN YOU SEE A "⚠ WARNING!" BE SURE TO HEED THE MESSAGE! THE INFORMATION CONTAINED IN THESE MESSAGES CAN SAVE YOUR LIFE!!**

**STEP 4.** Connect the **leg supports** to the **top legs** using (8) 3/8" x 1 1/4" [A] hex bolts, (16) 3/8" steel washers, (8) 3/8" lock washers & (8) 3/8" hex nuts to secure. **Note:** Use the bottom hole to attach the **Leg Supports**.



**STEP 5.** With the flat side of the angle facing to the top, attach the **upper horizontal braces** to the outside of the **top legs** using (8) 3/8" x 1 1/4" [A] hex bolts, (16) 3/8" steel washers, (8) 3/8" lock washers & (8) 3/8" hex nuts.



**READ THIS MANUAL IN ITS ENTIRETY PRIOR TO USING THIS PRODUCT.**

This instruction manual complies with the ASTM standard F2123 - Standard Practice for Treestand Instructions.

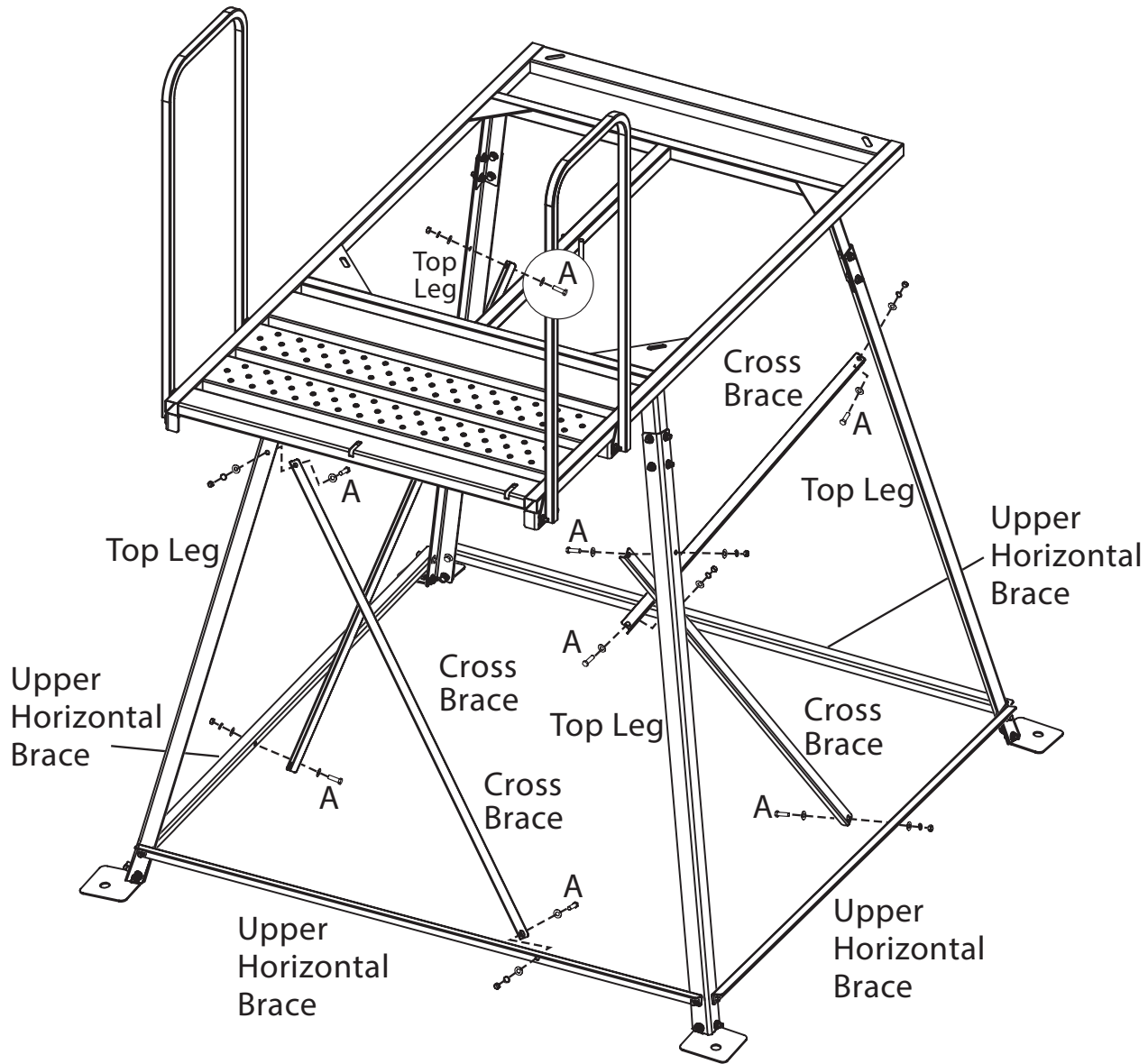


**ATTENTION!! WHEN YOU SEE A "⚠ WARNING!" BE SURE TO HEED THE MESSAGE! THE INFORMATION CONTAINED IN THESE MESSAGES CAN SAVE YOUR LIFE!!**

**STEP 6.** With the flat side of the angle facing to the ground, attach the round hole end of (4) **cross braces** to the inside of the **top legs** using (4) 3/8" x 1 1/4" [A] hex bolts, (8) 3/8" steel washers, (4) 3/8" lock washers & (4) 3/8" hex nuts to secure.

**FIG. 5**

**STEP 7.** Secure the oblong hole ends of the **cross braces** to the **upper horizontal braces** using (4) 3/8" x 1 1/4" [A] hex bolts, (8) 3/8" steel washers, (4) 3/8" lock washers & (4) 3/8" hex nuts.



**STEP 8. SECURELY TIGHTEN EVERY NUT AND BOLT AT THIS TIME.**

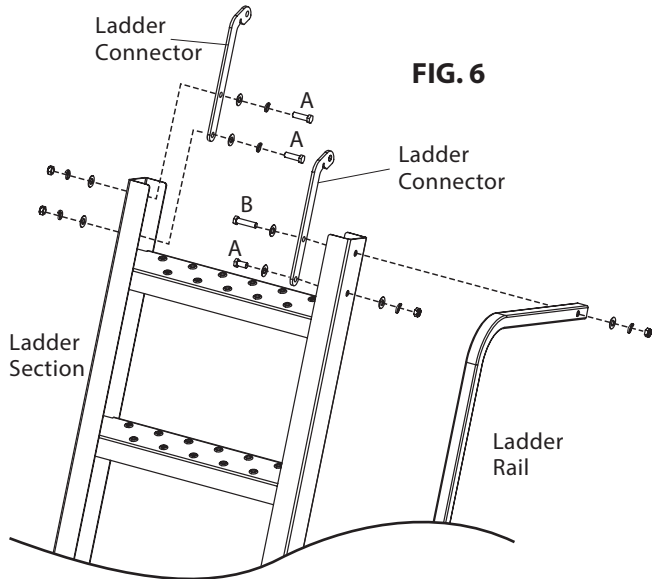
**STEP 9.** At this time erect your tower kit at the desired location, ensuring that it is level and stable.

**NOTE:** Leveling of the tower kit may require removal of dirt below one or more of the leg supports.

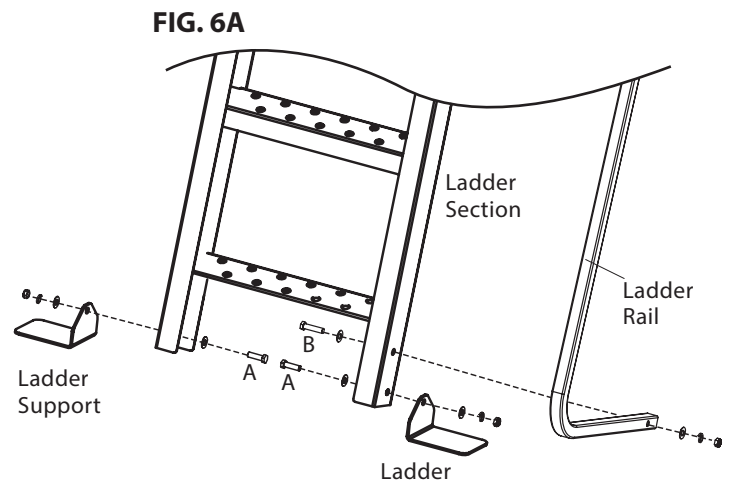
**STEP 10.** Anchor the tower kit according to the tie down anchor instructions found on page 18.

**ATTENTION!! WHEN YOU SEE A "⚠ WARNING!" BE SURE TO HEED THE MESSAGE! THE INFORMATION CONTAINED IN THESE MESSAGES CAN SAVE YOUR LIFE!!**

**STEP 11.** Assemble the ladder by connecting the **ladder section, ladder connectors, ladder supports** and **ladder rail** using (5) 3/8" x 1 1/4" [A] hex bolts, (2) 3/8" x 2" [B] hex bolts, (14) 3/8" steel washers, (7) 3/8" lock washers & (7) 3/8" hex nuts; Securely Tighten (Fig. 6 and 6A). **NOTE:** The **ladder rail** can be attached to either side of the ladder.

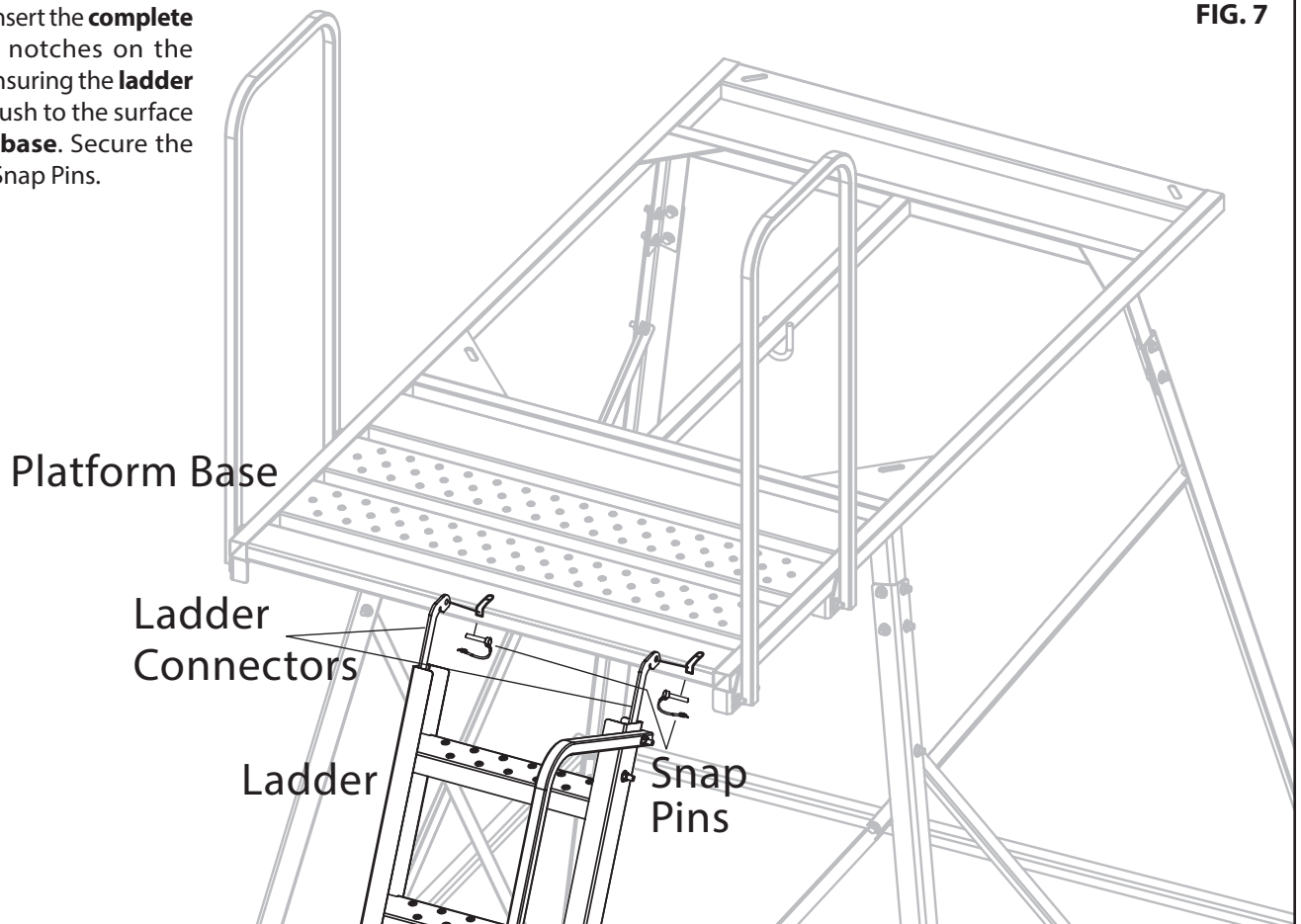


**FIG. 6**



**FIG. 6A**

**STEP 12.** Finally, insert the **complete ladder** into the notches on the **platform base**, ensuring the **ladder connectors** are flush to the surface of the **platform base**. Secure the **ladder** using (2) Snap Pins.



**FIG. 7**

**READ THIS MANUAL IN ITS ENTIRETY PRIOR TO USING THIS PRODUCT.**

This instruction manual complies with the ASTM standard F2123 - Standard Practice for Treestand Instructions.



**ATTENTION!! WHEN YOU SEE A "⚠ WARNING!" BE SURE TO HEED THE MESSAGE! THE INFORMATION CONTAINED IN THESE MESSAGES CAN SAVE YOUR LIFE!!**

## Tie Down Anchor Instructions for Elite Towers 5' Tower & 5' Tower Extension Kit

**⚠ WARNING! Never attempt to hunt from an unlevel stand. If you find that your stand is unlevel, canted, angled, unstable, or in any configuration other than level, immediately discontinue all use of this product. Readjust your stand as necessary to make it level and stable. Failure to follow these instructions may result in serious injury or death.**

**STEP 1:** Secure stand to ground with **(4) leg stakes**. Drive each stake at an angle other than perpendicular to the ground. The angle allows the stake to better hold into the soil. Drive stake until head of stake rests on stand foot (Fig. 1). **NOTE:** Fig. 1 shows where the **tie down hook** is located at on the base.

**STEP 2:** Begin your tie down anchor installation by locating the spot on the ground immediately below the tie down hooking point on the bottom side of your **platform base**. You can do this with the use of a piece of string and a weighted object tied to the end of the string.

**STEP 3:** If you are placing your stand over un-disturbed soil, the **auger stake** can be twisted into the ground. Turn the **auger stake** until the top of the anchor is all that is extending above the ground. (It will make the auger stake easier to twist into the ground if all grass and vegetation is removed before installation) Skip to **STEP 8**.

**STEP 4:** If you are placing your stand over loose soil or conditions that may not hold the **auger stake**, please proceed with installing the **auger stake** in concrete as shown in **STEP 5 - STEP 7**.

**STEP 5:** Once the spot is located, dig a hole 12" in diameter by 30" deep. Dig the hole so that the bottom of the hole is approximately 20" in diameter (Fig. 1A).

**STEP 6:** Place the **auger stake** into the hole so that the bracket end of the **auger stake** protrudes above the surrounding level of the ground. The **auger stake** can be held in place with a stick extending from one side of the hole, through the bracket, and onto the ground on the opposite side of the hole (Fig. 1A).

**STEP 7:** Pour concrete into hole around **auger stake**. Carefully fill hole to keep from moving the **auger stake**. Continue filling until the concrete is level with the surrounding ground. Allow concrete to cure completely before proceeding to the next step (Fig. 1A).

FIG. 1

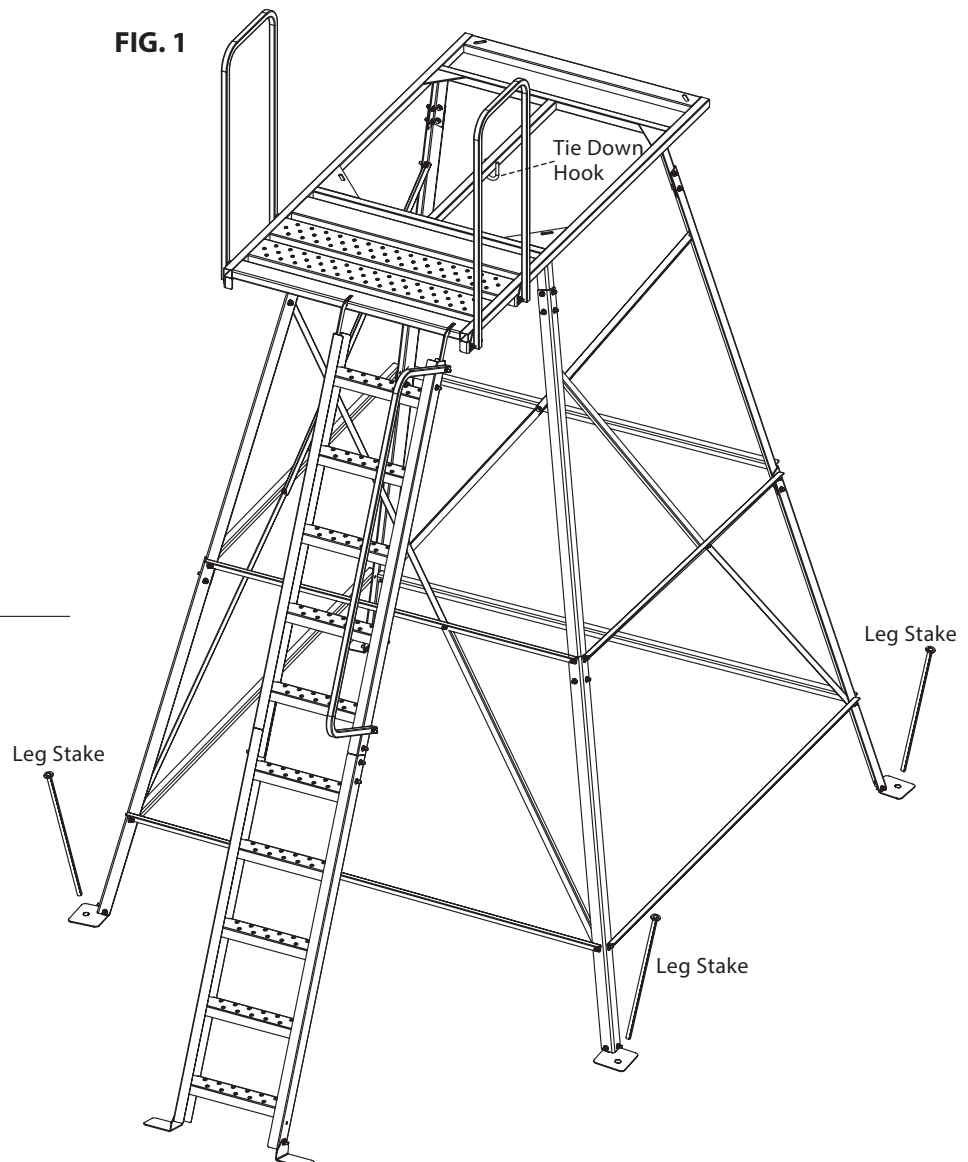
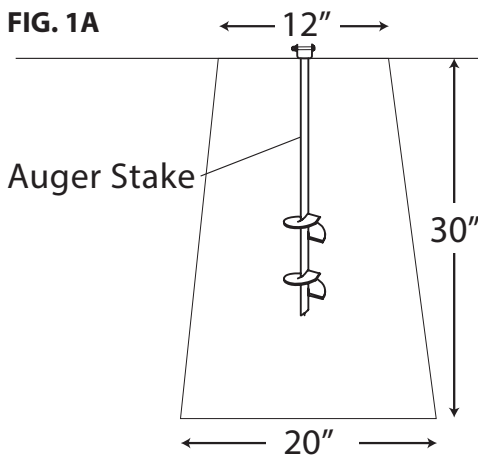


FIG. 1A



**ATTENTION!! WHEN YOU SEE A "⚠ WARNING!" BE SURE TO HEED THE MESSAGE! THE INFORMATION CONTAINED IN THESE MESSAGES CAN SAVE YOUR LIFE!!**

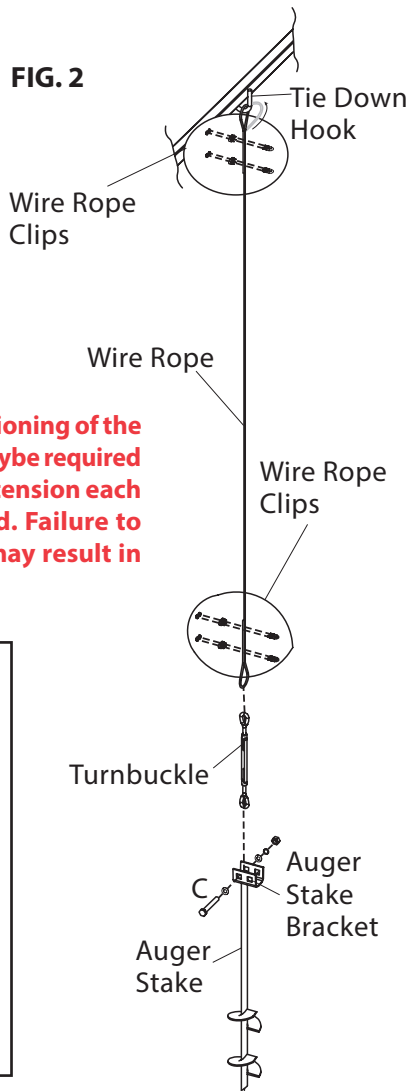
**STEP 8:** Connect the **wire rope** to the **tie down hook** on the bottom side of the **platform base**. (A ladder may be required to perform this step.) Run the **wire rope** through the hook and secure with **(2) wire rope clips**. Adequately tighten the **wire rope clips** to prevent the wire rope from slipping (Fig. 2).

**STEP 9:** Extend the **turnbuckle** to its maximum length by holding the eye and clevis on each end and turning the center turnbuckle body (Fig. 2).

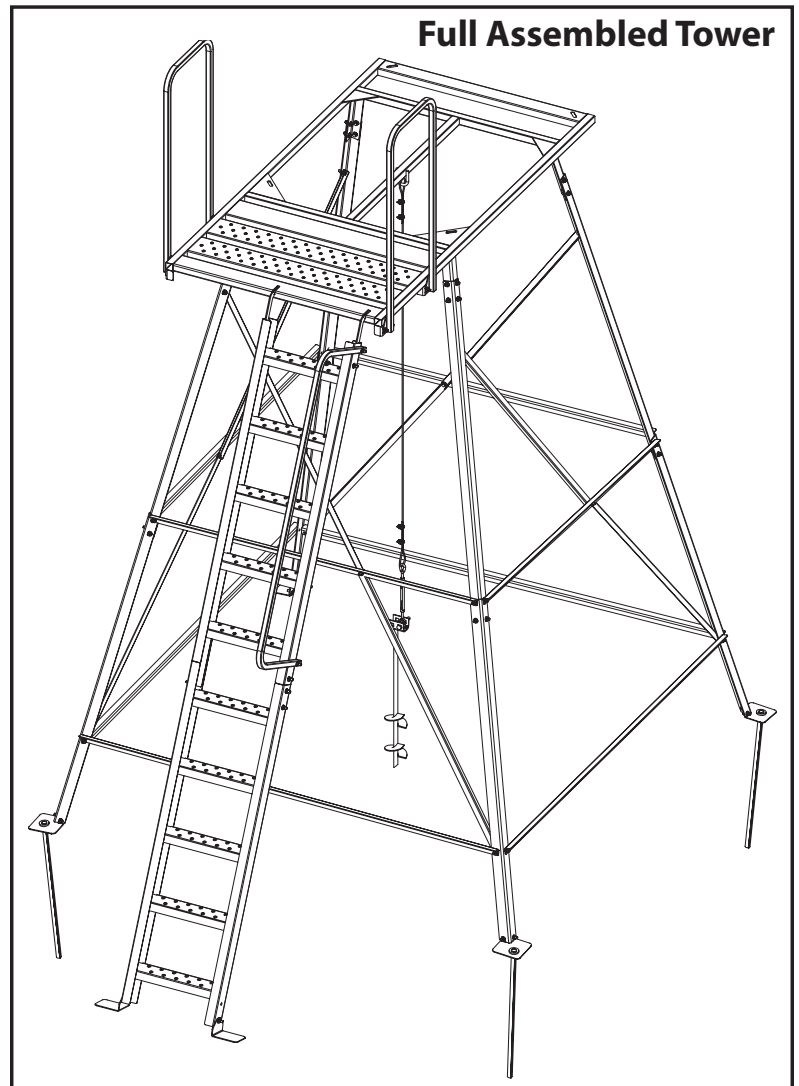
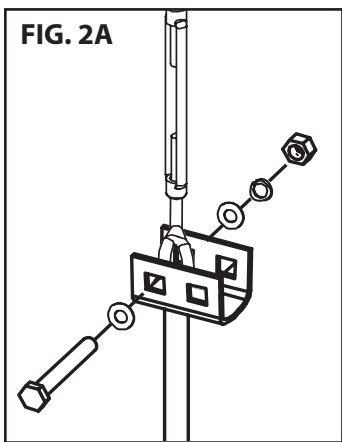
**STEP 10:** Insert the bottom of the **turnbuckle** eye hole in between the auger stake bracket to align with both holes on bracket. Thread the 1/2" x 3 1/2" [C] hex bolt, (1) 1/2" steel washer through the first hole in the auger stake bracket, then through the turnbuckle eye hole and the through the last hole on the bracket, add (1) 1/2" steel washer, (1) 1/2" lock washer, and (1) 1/2" hex nut to secure (Fig. 2 and Fig 2A).

**STEP 11:** String the **wire rope** through the eye on the opposite end of the **turnbuckle** and pull up. Secure the **wire rope** with **(2) wire rope clips** (Fig. 2). Adequately tighten the **wire clips** to prevent the **wire rope** from slipping.

**STEP 12:** Hold the eye of the **turnbuckle** then turn the **turnbuckle** so that it tightens on both hooks equally. Tighten the **turnbuckle** until the **wire rope** is tight.



**⚠ WARNING! Periodic tensioning of the turnbuckle and wire rope maybe required as the stand settles. Check tension each time before entering stand. Failure to follow these instructions may result in serious injury or death.**



**⚠ WARNING! Never attempt to hunt from an unlevel platform. Additionally, never attempt to level your freestanding platform treestand at heights above the ground. If you find your platform is unlevel, canted or angled awkwardly upward or downward, or in any configuration other than level, readjust your freestanding platform treestand as necessary to alleviate this awkward angle. Failure to follow these instructions may result in serious injury or death!**

**⚠ WARNING! Never attempt to level a platform by inserting, or using scrap lumber, rocks, tree limbs or branches, cardboard, or any other material(s). Under no circumstances shall you attempt to level your platform in a manner other than described in this Instruction Manual. Failure to follow these instructions will result in serious injury or death!**

**⚠ WARNING! You must secure your freestanding platform treestand to preclude it from tipping or shifting during installation and/or use. Failure to follow these instructions may result in serious injury or death!**

**READ THIS MANUAL IN ITS ENTIRETY PRIOR TO USING THIS PRODUCT.**

This instruction manual complies with the ASTM standard F2123 - Standard Practice for Treestand Instructions.